

TJEP CPX30 Concrete Pin, Mechanical Galvanized w/step

Application

Fixation of drywall tracks.

Fixation of wiring accessories/conduit fasteners.

Approval



Fire protection approval

Material properties

Total length L: 15, 20, 25, 30 & 35 mm

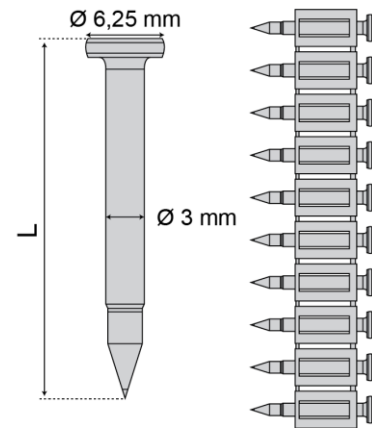
Yellow collated strip.

Electrogalvanized, average thickness $\geq 5 \mu\text{m}$.

Hardness 53-56 HRc

Suitable tools

TJEP CP-40 GAS 3G concrete nailer or similar.



Product list

Range	Length of shank (L)	Item no.
CPX 30/15	15	839215
CPX 30/20	20	839220
CPX 30/25	25	839225
CPX 30/30	30	839230
CPX 30/35	35	839235

RECOMMENDED LOAD

TJEP CPX 30 Range	Embedment	Characteristic resistance	
		N_{Rk} (kN)	V_{Rk} (kN)
Concrete C30/37	$H_{nom} = 12 \text{ mm}$	0,31	0,03
	$H_{nom} = 20 \text{ mm}$	0,27	0,24